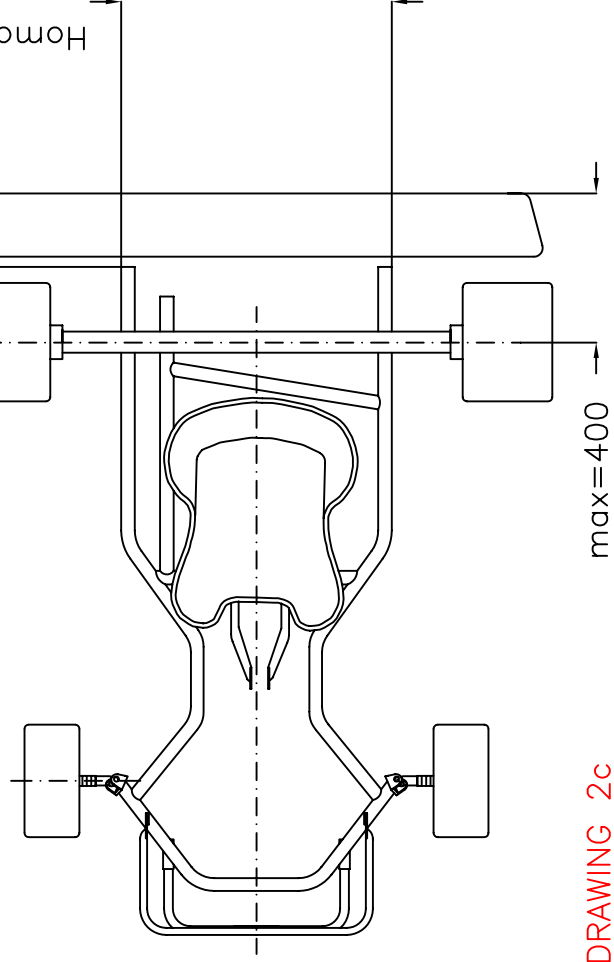


Homologated dimension F  
min=620  
max=700

210 +/- 15



DRAWING 2c  
REAR PROTECTION 2006

31.12.2005

\* Dimensions in mm